



MIAMI-DADE COUNTY  
 PRODUCT CONTROL SECTION  
 11805 SW 26 Street, Room 208  
 Miami, Florida 33175-2474  
 T (786) 315-2590 F (786) 315-2599  
[www.miamidade.gov/economy](http://www.miamidade.gov/economy)

DEPARTMENT OF REGULATORY AND ECONOMIC RESOURCES (RER)  
 BOARD AND CODE ADMINISTRATION DIVISION

**NOTICE OF ACCEPTANCE (NOA)**

**Moore Custom Woodworking Inc.**  
 10046 Bavaria Road  
 Fort Myers, FL. 33913

**SCOPE:**

This NOA is being issued under the applicable rules and regulations governing the use of construction materials. The documentation submitted has been reviewed and accepted by Miami-Dade County RER -Product Control Section to be used in Miami Dade County and other areas where allowed by the Authority Having Jurisdiction (AHJ). This NOA shall not be valid after the expiration date stated below. The Miami-Dade County Product Control Section (In Miami Dade County) and/or the AHJ (in areas other than Miami Dade County) reserve the right to have this product or material tested for quality assurance purposes. If this product or material fails to perform in the accepted manner, the manufacturer will incur the expense of such testing and the AHJ may immediately revoke, modify, or suspend the use of such product or material within their jurisdiction. RER reserves the right to revoke this acceptance, if it is determined by Miami-Dade County Product Control Section that this product or material fails to meet the requirements of the applicable building code.

This product is approved as described herein, and has been designed to comply with the Florida Building Code, including the High Velocity Hurricane Zone.

**DESCRIPTION: Series "#1" Outswing Glazed Wood Doors-L.M.I.**

**APPROVAL DOCUMENT:** Drawing No. **NOA-G2010**, titled "Series #1 Outswing Glazed Doors" Sheets 1 through 08 of 08, dated 06/24/10, last revision #3 dated 06/01/15, prepared by Liebl & Barrow Structural Engineering, signed and sealed by Brian Liebl, P.E., bearing the Miami-Dade County Product Control Renewal stamp with the Notice of Acceptance number and the expiration date by the Miami-Dade County Product Control Section.

**MISSILE IMPACT RATING: Large Missile Impact Resistant**

- Limitations:**
1. Min Wood species to be used is Sapele (S.G.=0.55 & E= 1, 700,000 psi) or better and only for Jamb's min Poplar (S.G.=0.42 & E= 1, 580,000 psi) or better
  2. See sheet 1 for Design pressure ratings based on hardware option I or II and water rating on sheet 7. Only threshold item #30 (1-3/4" composite Threshold) is rated for max. +62 PSF.
  3. See Partial raised panel glazing detail in sheet 3 and glazed door panel configurations in sheet 6.

**LABELING:** Each unit shall bear a permanent label with the manufacturer's name or logo, Kall/Eifel, Germany and series and following statement: "Miami-Dade County Product Control Approved", unless otherwise noted herein.

**RENEWAL** of this NOA shall be considered after a renewal application has been filed and there has been no change in the applicable building code negatively affecting the performance of this product.

**TERMINATION** of this NOA will occur after the expiration date or if there has been a revision or change in the materials, use, and/or manufacture of the product or process. Misuse of this NOA as an endorsement of any product, for sales, advertising or any other purposes shall automatically terminate this NOA. Failure to comply with any section of this NOA shall be cause for termination and removal of NOA.

**ADVERTISEMENT:** The NOA number preceded by the words Miami-Dade County, Florida, and followed by the expiration date may be displayed in advertising literature. If any portion of the NOA is displayed, then it shall be done in its entirety.

**INSPECTION:** A copy of this entire NOA shall be provided to the user by the manufacturer or its distributors and shall be available for inspection at the job site at the request of the Building Official. This NOA **renews NOA #14-0714.09** and consists of this page 1, pages E-1, E-2 & approval document mentioned above. The submitted documentation was reviewed by **Helmy A. Makar, P.E., M.S.**

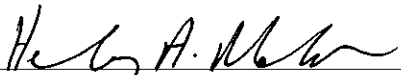


*Helmy A. Makar*  
 02/24/2016

NOA No. 15-1119.02  
 Expiration Date: 02/24/2021  
 Approval Date: 02/24/2016  
 Page 1

**NOTICE OF ACCEPTANCE: EVIDENCE SUBMITTED**

- A. DRAWINGS** (Submitted under files# see below)
1. Manufacturer's die drawings and sections.
  2. Drawing No. **NOA-G2010 Rev #3**, titled "Series #1 Outswing Glazed Doors" Sheets 1 through 08 of 08, dated 06/24/10 and last revised on 06/15/15, prepared by Liebl & Barrow Structural Engineering, signed and sealed by Brian Liebl, P.E.
- B. TESTS** (Submitted under files# **12-1019.13/#10-0706.01**)
1. Test reports on:
    - 1) Air Infiltration Test, per FBC, TAS 202-94
    - 2) Uniform Static Air Pressure Test, Loading per FBC TAS 202-94
    - 3) Water Resistance Test, per FBC, TAS 202-94
    - 4) Large Missile Impact Test per FBC, TAS 201-94
    - 5) Cyclic Wind Pressure Loading per FBC, TAS 203-94
    - 6) Forced Entry Test, per FBC 2411 3.2.1, TAS 202-94
- Along with the manufacturers' parts drawings, installation diagram and marked-up drawings of a outswing wood door prepared by Architectural Testing, Inc., Test Report No. **99385.01-401-18** dated 05/28/10, signed and sealed by Joseph A. Reed, P.E.
- Note: The test report was revised & reissued on 11/11/10, signed and sealed by Joseph A. Reed, P.E.
2. Additional verification test report No. **99385.02-401-18**, dated 11/23/10 per TAS 201 & 202-94, issued by Architectural Testing, signed by Shawn G. Collins, P. E.
- C. CALCULATIONS**
1. Anchor verification calculations complying w/ FBC-2014 (5<sup>th</sup> Edition), prepared by Liebl & Barrow Structural Engineering, dated 06/05/15, signed and sealed by Brian Liebl, P.E.
  2. Glazing complies with ASTM E-1300-02, -04 and &-09.
- D. QUALITY ASSURANCE**
1. Miami Dade Department of Regulatory and Economic Resources (RER).
- E. MATERIAL CERTIFICATIONS**
1. Notice of Acceptance No. **12-1231.08** issued to Eastman Chemical Co(MA) former Solutia Inc, for "Saflex CP: Saflex & Saflex HP Composite Glass Interlayer w/ PET", expiring on 12/11/2018.
- F. STATEMENTS**
1. Statement letter of conformance to FBC 2014(5<sup>th</sup> Edition) and letter of no financial interest, prepared by Liebl & Barrow Structural Engineering, dated 06/05/15, signed and sealed by Brian Liebl, P.E.
  2. Lab compliance as part of the above referenced test report.
- G. OTHER**
1. This NOA revises NOA # **12-1019.13**, expiring on 02/24/16.
  2. Test proposal dated 09/21/10, approved by BCCO.

  
\_\_\_\_\_  
Jeremy A. Makar, P.E., M.S.  
Product Control Section Supervisor  
NOA No. 15-1119.02  
Expiration Date: 02/24/2021  
Approval Date: 02/24/2016

**Moore Custom Woodworking Inc.**

**NOTICE OF ACCEPTANCE: EVIDENCE SUBMITTED**

**NEW EVIDENCE SUBMITTED**

**A. DRAWINGS**

1. *None.*

**B. TESTS**

1. *None.*

**C. CALCULATIONS**

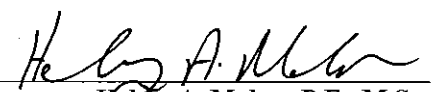
1. *None.*

**D. QUALITY ASSURANCE**

1. *Miami Dade Department of Regulatory and Economic Resources (RER).*

**E. MATERIAL CERTIFICATIONS**

1. *None.*

  
\_\_\_\_\_  
Helmy A. Makar, P.E., M.S.  
Product Control Section Supervisor  
NOA No. 15-1119.02  
Expiration Date: 02/24/2021  
Approval Date: 02/24/2016

DESIGN PRESSURE RATING (AS)		IMPACT RATING
	Option I Multipoint Hardware	
Positive	+62 PSF*	+ 50 PSF*
Negative	- 55 PSF	- 49 PSF

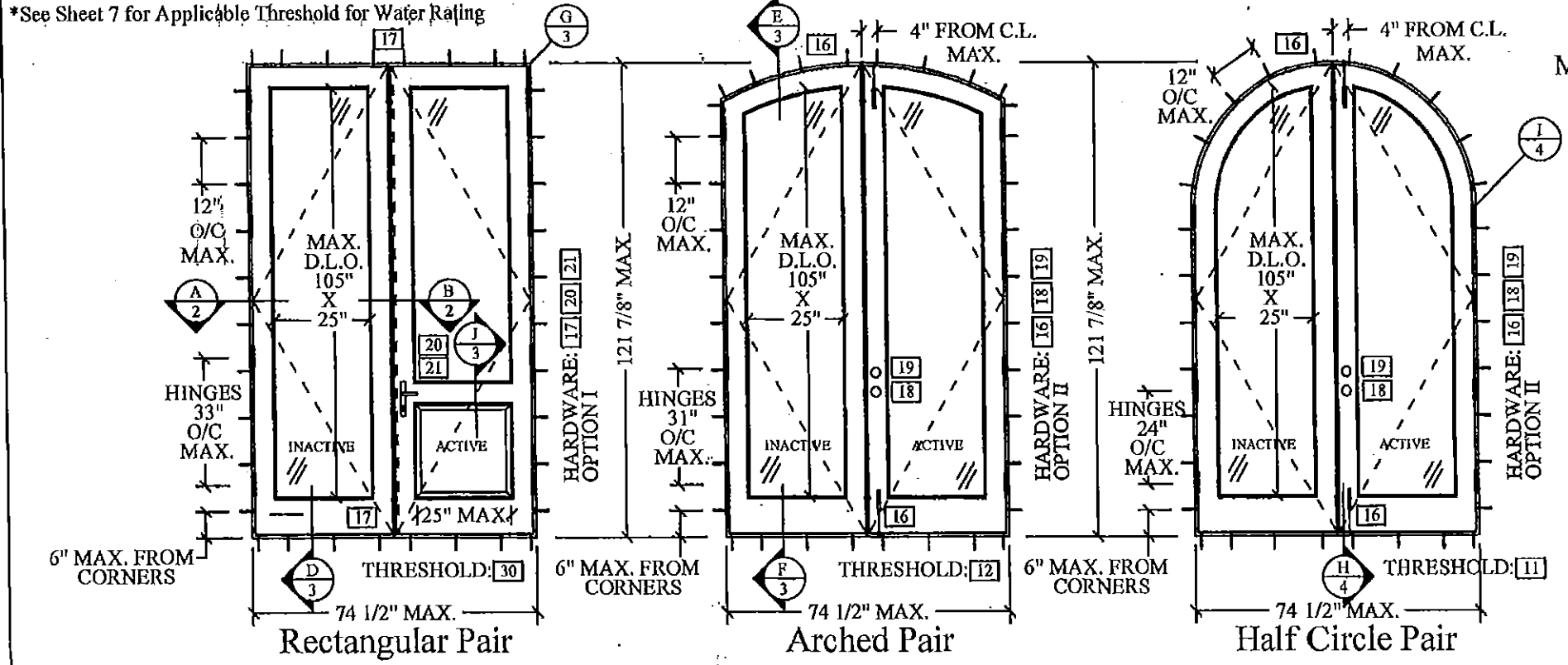
OPTION I: HOPPE 3-POINT LOCK ACTIVE  
IVES FLUSH BOLT INACTIVE

OPTION II: KWIKSET HANDLE w/ 780 DEADBOLT AND  
DELTANA FLUSH EXTENSION BOLTS ACTIVE  
DELTANA FLUSH EXTENSION BOLTS INACTIVE

### SERIES# 1 NOA IMPACT OUTSWING GLAZED DOORS

All Units Are Out Swing Exterior Views

MAX. D.L.O. 25" x 105" ON ALL UNITS



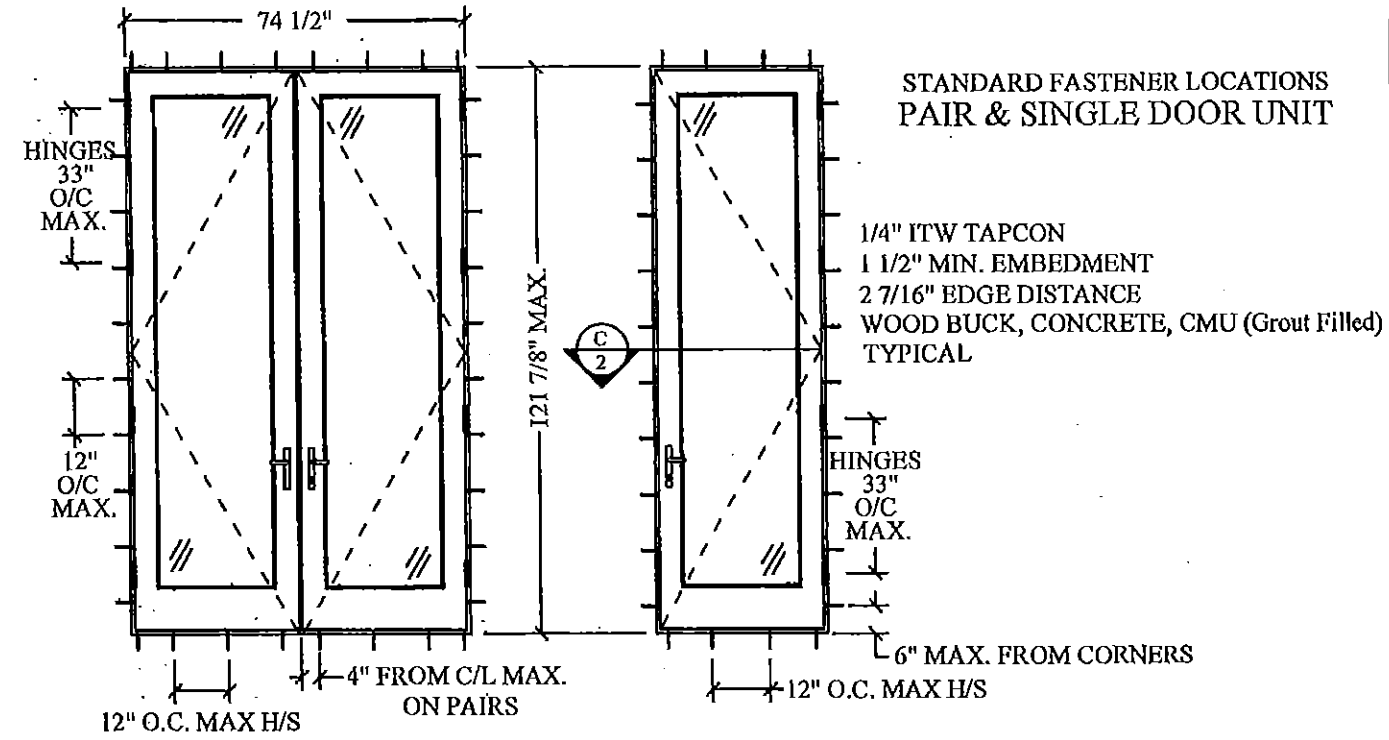
#### APPROVED SHAPES:

1. OTHER SHAPES MAY APPLY PROVIDING THEY ARE SIMILAR TO THOSE SHOWN & ARE CONSTRUCTED AS DESCRIBED IN THESE DRAWINGS, NOT TO EXCEED TESTED FRAME AREA.
2. ALL SHAPED UNITS MUST FIT INSCRIBED INTO THE RECTANGULAR TEST UNIT AND BE GOVERNED BY THE ALLOWABLE PRESSURE OF THE RESPECTIVE HARDWARE OPTIONS.

#### APPROVED DOOR SIZES:

- SIZES MAY RANGE AS PERMITTED BY FBC FROM:
- SINGLE DOOR: WIDTH UP TO 3/0 HEIGHT UP TO 10/0
  - DOOR PAIRS (EACH DOOR): WIDTH UP TO 3/0 HEIGHT UP TO 10/0

#### TESTED SPECIEMENS



#### GENERAL NOTES:

1. THIS PRODUCT HAS BEEN TESTED AND DESIGNED IN ACCORDANCE WITH THE 2014 FLORIDA BUILDING CODE (FBC) INCLUDING THE HIGH VELOCITY HURRICANE ZONES (HVHZ).
2. BUCKING, OPENINGS & BUCKING FASTENERS MUST BE PROPERLY DESIGNED & INSTALLED TO TRANSFER WIND LOADS TO THE STRUCTURE.
3. ALL HARDWARE AND FASTENERS MUST BE IN ACCORDANCE WITH THESE DRAWINGS AND MAY NOT VARY UNLESS SPECIFICALLY MENTIONED ON THE DRAWINGS.
4. IMPACT SHUTTERS ARE NOT REQUIRED FOR THESE DOORS.
5. IT SHALL BE THE RESPONSIBILITY OF THE CONTRACTOR, ARCHITECT OR ENGINEER TO VERIFY THE FOLLOWING:
  - THE STABILITY OF THE STRUCTURE WHERE THE UNIT IS TO BE ATTACHED
  - THE SITE SPECIFIC PROJECT CRITERIA SUCH AS LOCAL BUILDING CODE REQUIREMENTS & DESIGN PRESSURES
  - THAT THIS APPROVAL IS ADEQUATE FOR THE PROJECT

PRODUCT RENEWED as complying with the Florida Building Code  
NOA-No. 15-1119.02  
Expiration Date 02/24/2021  
By *[Signature]*  
Miami-Dade Product Control

PRODUCT REVISED as complying with the Florida Building Code  
Amendment No. 14-0714.09  
Expiration Date FEB 24, 2016  
By *[Signature]*  
Miami-Dade Product Control

**Series# 1 NOA Impact**  
Hardwood-Outswing-Glazed Doors

Manufacturer:  
**Moore Custom Woodworking, Inc.**  
10046 Bavaria Rd. Fort Myers, FL 33913  
Ph: (239) 277-0360 Fax: (239) 277-0892

Engineering:

**LIEBL & BARROW**  
STRUCTURAL ENGINEERS

C.A. #00008053  
10970 SOUTH CLEVELAND AVENUE,  
SUITE #105  
FORT MYERS, FLORIDA 33907  
239-936-7557 PHONE  
239-936-6817 FAX  
www.lieblbarrow.com  
E-mail: info@lieblbarrow.com

**BRIAN LIEBL**  
Certification:  
No. 43087  
STATE OF FLORIDA  
PROFESSIONAL ENGINEER

6/15/17

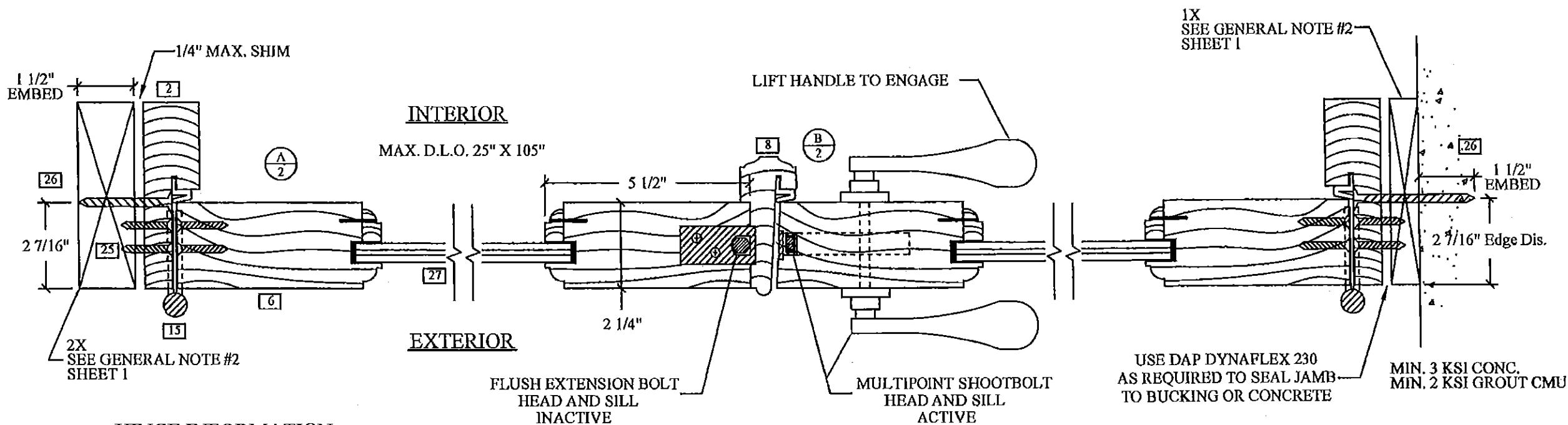
Shts 1 to 8

General Revision #3  
106/01/15

Drawing #: NOA-G2010  
Date: 06/24/10

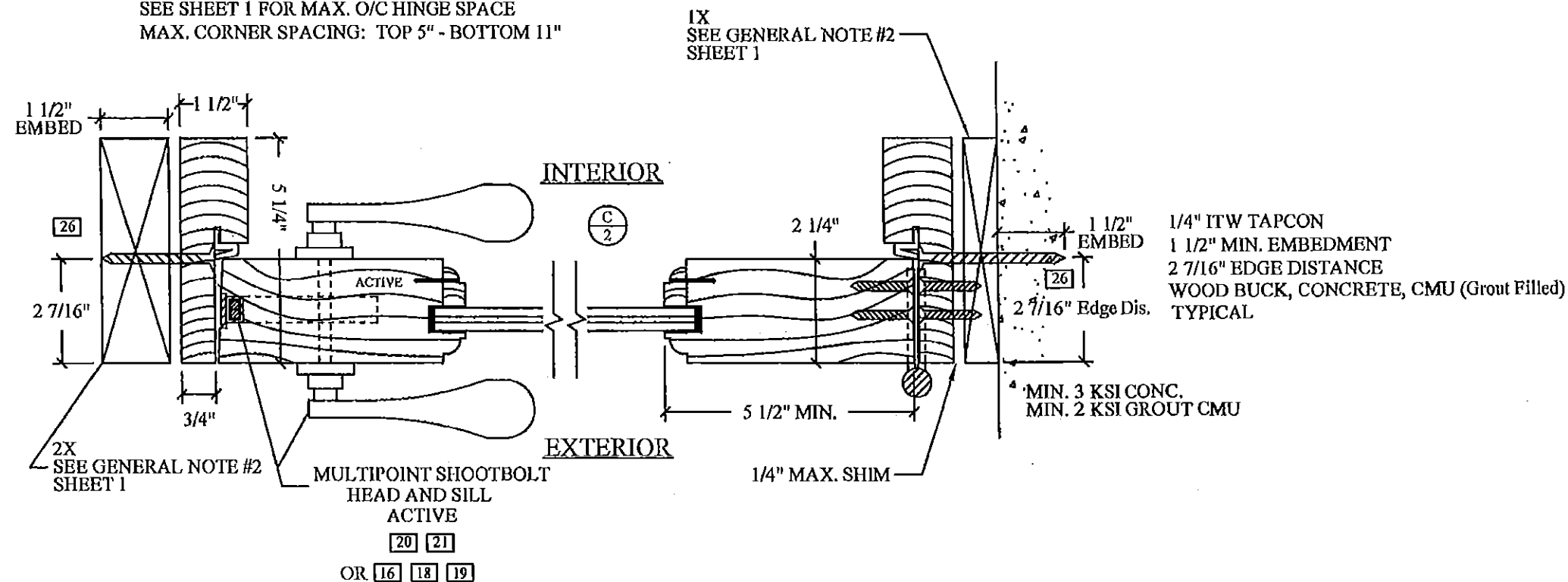
Sheet  
1 of 8

# HORIZONTAL SECTIONS



### HINGE INFORMATION

5" X 5" X 0.145" HINGES (ALL FINISHES)  
 8 - #12 X 1 1/4" WOOD SCREWS PER HINGE  
 DOOR HEIGHT 80" TO 90" - 3 HINGES  
 DOOR HEIGHT 90" TO 120" - 4 HINGES  
 SEE SHEET 1 FOR MAX. O/C HINGE SPACE  
 MAX. CORNER SPACING: TOP 5" - BOTTOM 11"



**Series# 1 NOA Impact**  
**Hardwood Outswing Glazed Doors.**  
 Manufacturer:  
**Moore Custom Woodworking, Inc.**  
 10046 Bavaria Rd. Fort Myers, FL 33913  
 Ph: (239) 277-0360 Fax: (239) 277-0892

Engineering:  
**LIEBL & BARROW**  
 C.A. #00008053  
 10970 SOUTH CLEVELAND AVENUE,  
 SUITE #105  
 FORT MYERS, FLORIDA 33907  
 239-936-7557 PHONE  
 239-936-6817 FAX  
 www.lieblbarrow.com  
 E-mail: info@lieblbarrow.com

PRODUCT RENEWED  
 as complying with the Florida  
 Building Code  
 NOA-No. 15-1119.02  
 Expiration Date 02/24/2021  
 By *[Signature]*  
 Miami-Dade Product Control

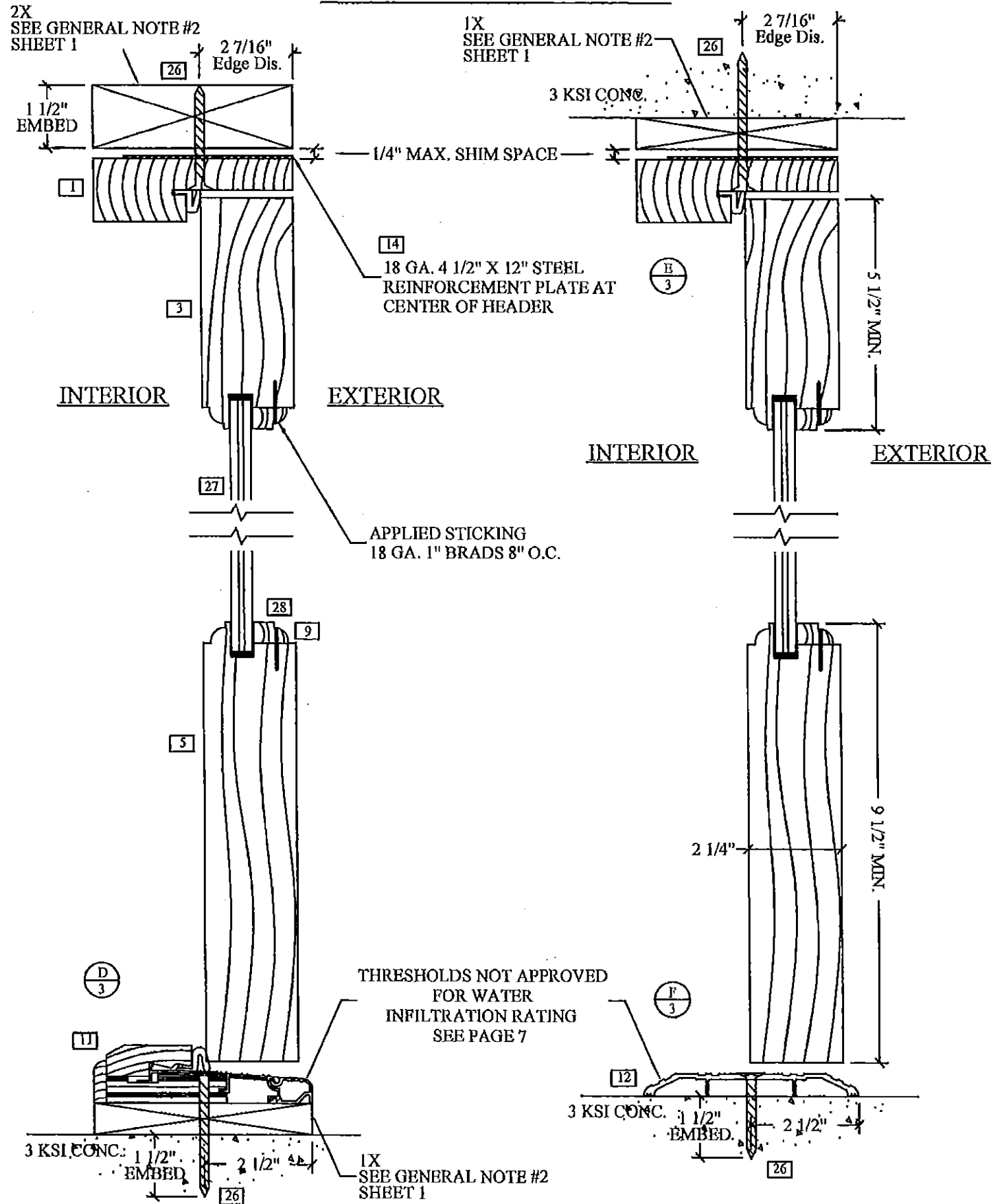
Certification:

PRODUCT REVISED  
 as complying with the Florida  
 Building Code  
 Amendment No. 14-0714.09  
 Expiration Date 2/24/16  
*[Signature]*  
 Miami-Dade Product Control

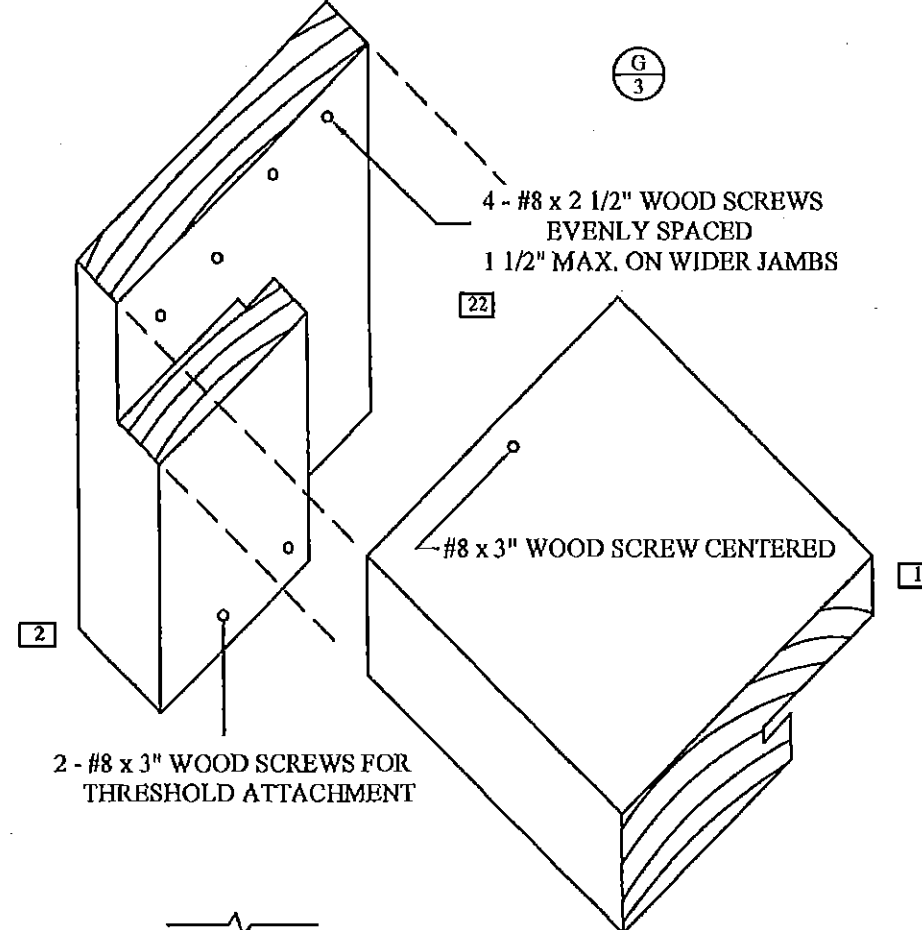
General Revision #3  
 06/01/15  
 Drawing #: NOA-G2010  
 Date: 06/24/10

Sheet  
 2 of 8

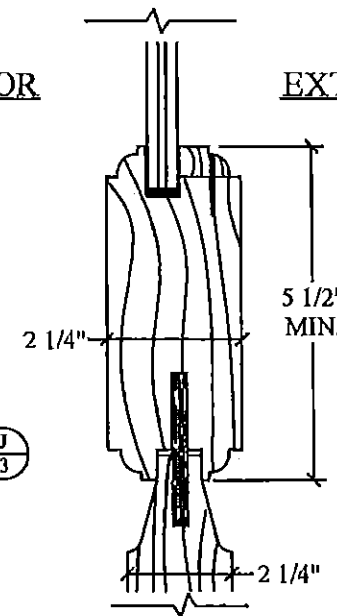
# VERTICAL SECTIONS (OUTSWING DOORS)



# JAMB CONSTRUCTION RECTANGULAR CORNER CONSTRUCTION



INTERIOR EXTERIOR



# INTERMEDIATE RAIL PARTIAL RAISED PANEL

Series# 1 NOA Impact  
Hardwood Outswing Glazed Doors

Manufacturer:

Moore Custom Woodworking, Inc.  
10046 Bavaria Rd. Fort Myers, FL 33913  
Ph: (239) 277-0360 Fax: (239) 277-0892

Engineering:

**LIEBL & BARROW**  
STRUCTURAL ENGINEERS

C.A. #00008053  
10970 SOUTH CLEVELAND AVENUE,  
SUITE #105  
FORT MYERS, FLORIDA 33907  
239-936-7557 PHONE  
239-936-6817 FAX  
www.lbeengineer.com  
E-mail: info@lbeengineer.com

Certification:

PRODUCT RENEWED  
as complying with the Florida  
Building Code  
NOA-No. 15-1119.02  
Expiration Date 02/24/2021  
By *Heidi A. Miller*  
Miami-Dade Product Control

PRODUCT REVISED  
as complying with the Florida  
Building Code  
Assessment No. 14-0714.09  
Expiration Date 2/24/16  
By *Isaac L. Chinn*  
Miami-Dade Product Control

General Revision #3  
06/01/15

Drawing #: NOA-G2010

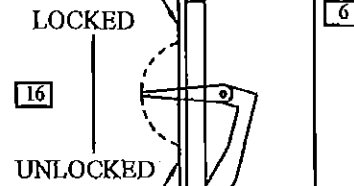
Date: 06/24/10

Sheet  
3 of 8

# FLUSH EXTENSION BOLT

(2) ACTIVE DOOR FACE  
(2) INACTIVE DOOR EDGE

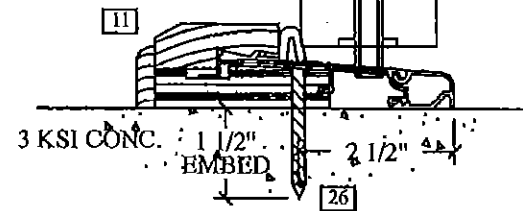
LOCK LOCATED ON FACE OF LOCKING ACTIVE STILE TOP AND BOTTOM OF DOOR



DELTAFLUSH EXTENSION BOLTS WITH STANDARD HANDLESET AND DEADBOLT OPTION

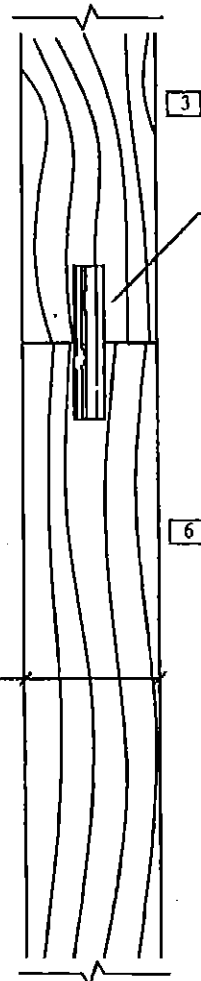
INTERIOR

EXTERIOR



# DOOR CONSTRUCTION

STILE TO CIRCLE TOP RAIL

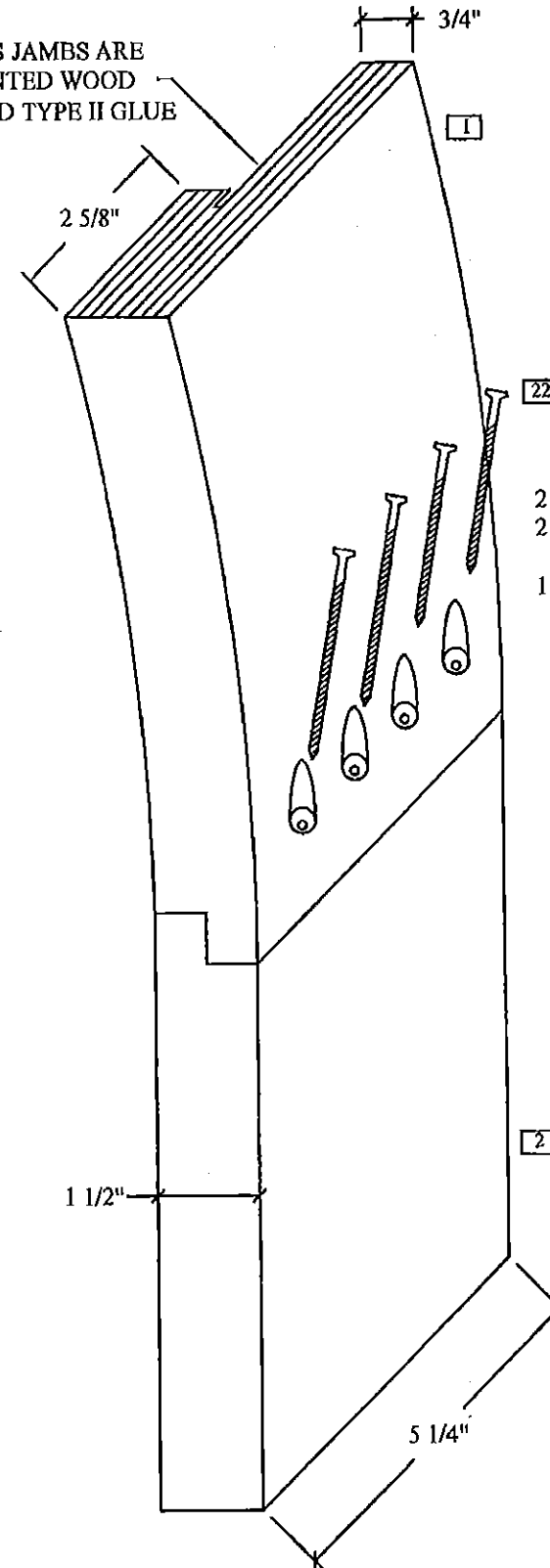


WOOD SPLINE  
1/2" x 2 1/2" x 5"

# JAMB CONSTRUCTION

JAMB LEG TO CIRCLE TOP HEADER

RADIUS JAMBS ARE LAMINATED WOOD TITEBOND TYPE II GLUE



2 - #8 x 3" WOOD SCREWS  
2 - #8 x 2 1/2" WOOD SCREWS  
EVENLY SPACED  
1 1/2" MAX. ON WIDER JAMBS

Series# 1 NOA Impact  
Hardwood Outswing Glazed Doors

Manufacturer:

Moore Custom Woodworking, Inc.  
10046 Bavaria Rd. Fort Myers, FL 33913  
Ph: (239) 277-0360 Fax: (239) 277-0892

Engineering:

**LIEBL & BARROW**  
STRUCTURAL ENGINEERS

C.A. #00008053  
10970 SOUTH CLEVELAND AVENUE,  
SUITE #105  
FORT MYERS, FLORIDA 33907  
239-936-7557 PHONE  
239-936-6817 FAX  
www.lieblbarrow.com  
E-mail: info@lieblbarrow.com

PRODUCT RENEWED  
as complying with the Florida  
Building Code  
NOA-No. 15-1119.02  
Expiration Date 02/24/2021  
By *Heby A. Moore*  
Miami-Dade Product Control

Certification:

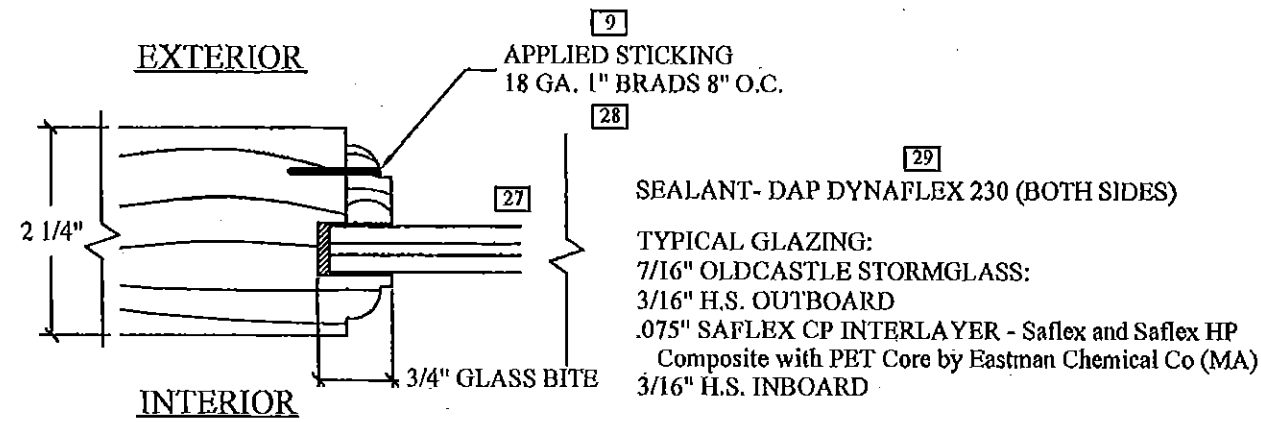
General Revision #3  
06/01/15

Drawing #: NOA-G2010

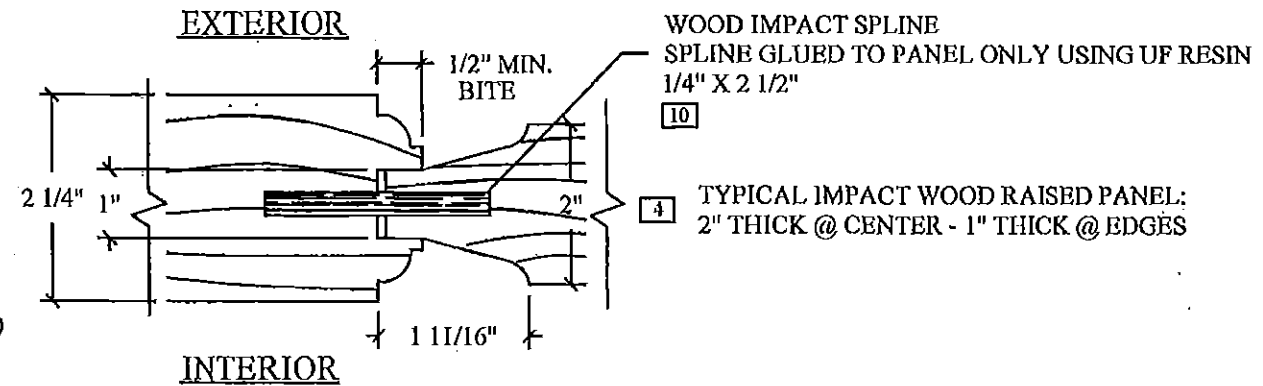
Date: 06/24/10

Sheet  
4 of 8

PRODUCT REVISED  
as complying with the Florida  
Building Code  
Acceptance No. 14-071409  
Expiration Date 2-24-16  
By *Sheng J. Chan*  
Miami-Dade Product Control

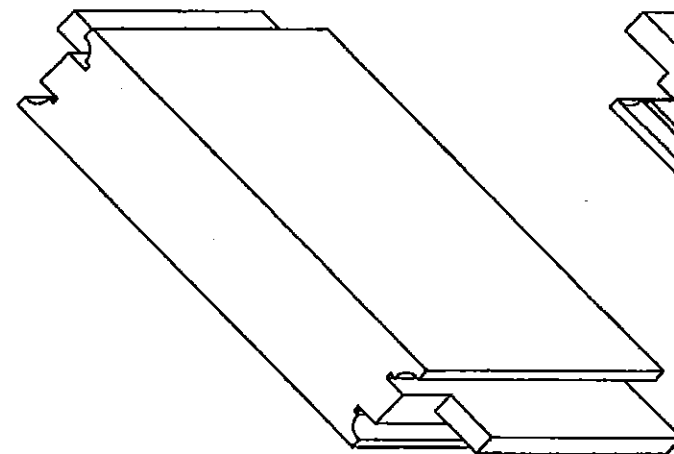
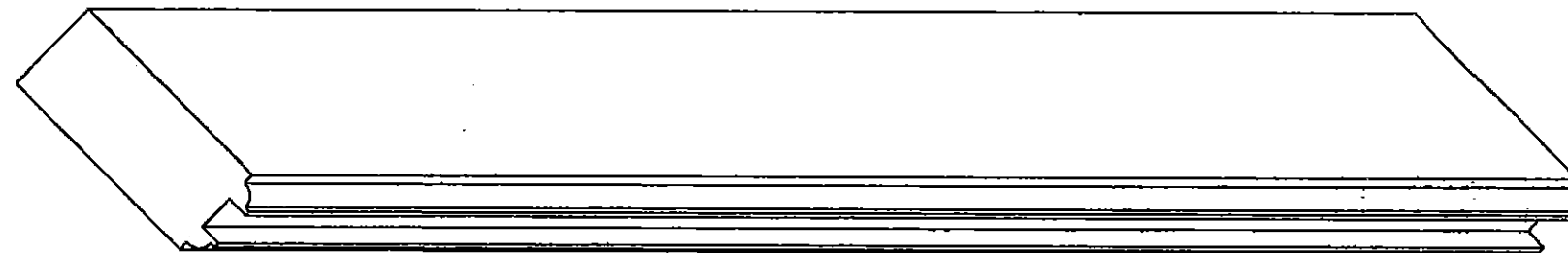


**GLAZING DETAIL**

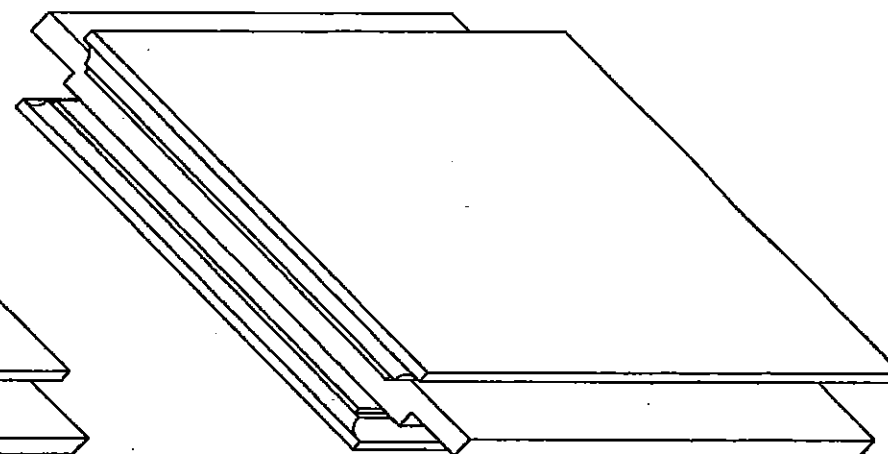


**IMPACT PANEL DETAIL**

SOLID SAPELE  
STILE - 5 1/2" MIN. [6]



SOLID SAPELE  
TOP RAIL - 5 1/2" MIN. [3]



SOLID SAPELE  
BOTTOM RAIL - 9 1/2" MIN. [5]

**DOOR CONSTRUCTION**

ALL STILE TO RAIL JOINTS ARE BLIND MORTISE AND TENON WITH A MORTISE IN THE STILE AND TENON ON THE RAIL.  
MORTISE DEPTH: 2"  
TENON LENGTH: 1 3/4"

ALL JOINTS ARE GLUED USING A UREA FORMALDAHYDE (UF) RESIN

Series# 1 NOA Impact  
Hardwood Outswing Glazed Doors.

Manufacturer:

Moore Custom Woodworking, Inc.  
10046 Bavaria Rd. Fort Myers, FL 33913  
Ph: (239) 277-0360 Fax: (239) 277-0892

Engineering:



C.A. #00008053  
10970 SOUTH CLEVELAND AVENUE,  
SUITE #105  
FORT MYERS, FLORIDA 33907  
239-936-7557 PHONE  
239-936-6817 FAX  
www.lieblbarrow.com  
E-mail: info@lieblbarrow.com

Certification:

PRODUCT RENEWED  
as complying with the Florida  
Building Code  
NOA-No. 15-1119.02  
Expiration Date 02/24/2021  
By *Harley A. Moore*  
Miami-Dade Product Control

PRODUCT REVISED  
as complying with the Florida  
Building Code  
Acceptance No. *14-0714-09*  
Expiration Date *2/24/16*  
By *Shing I. Chan*  
Miami-Dade Product Control

General Revision #3  
06/01/15!  
Drawing #: NOA-G2010  
Date: 06/24/10

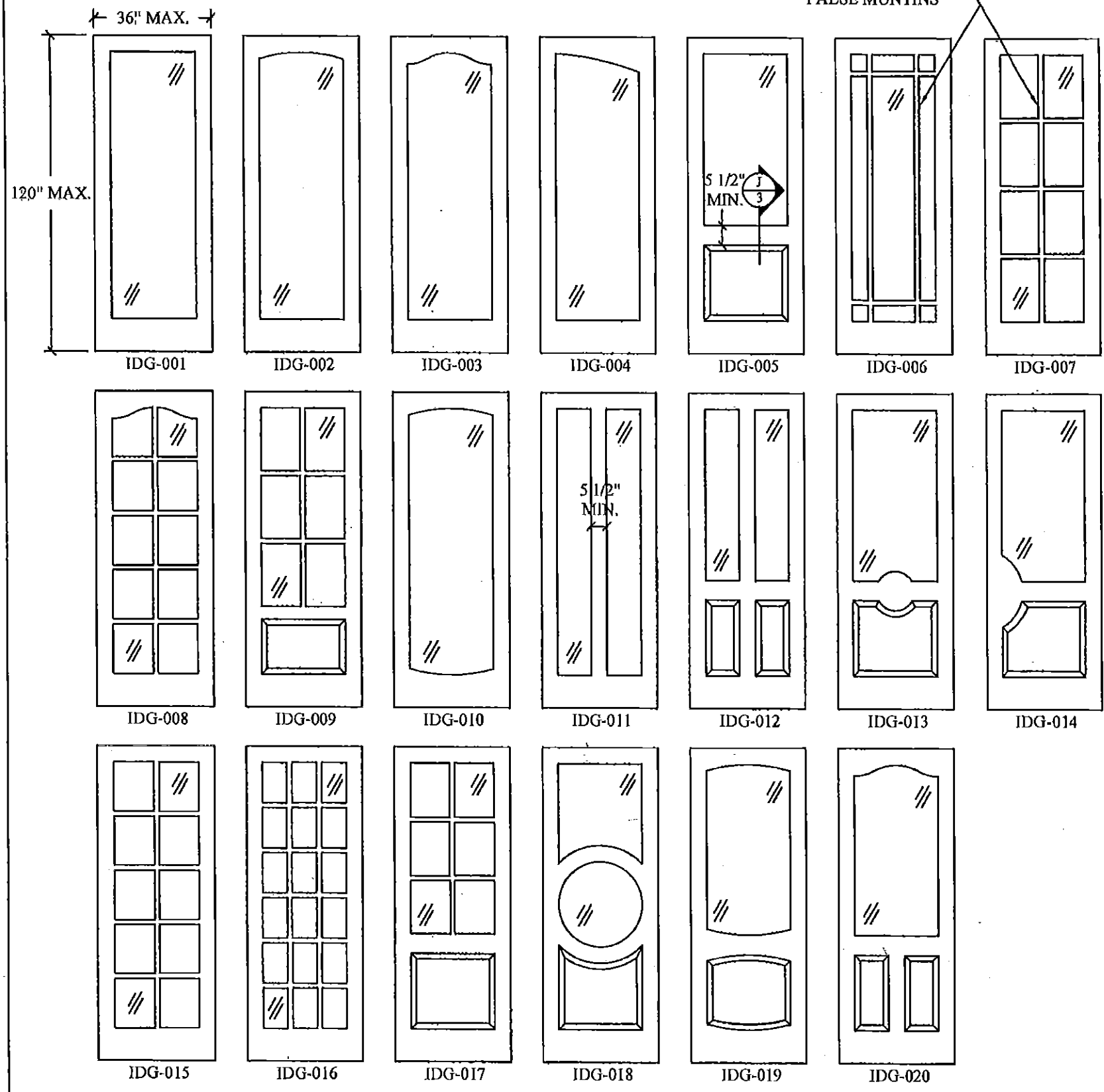
Sheet  
5 of 8



MAX. SINGLE DOOR WIDTH: 36"  
MAX. SINGLE DOOR HEIGHT: 120"

MAX. D.L.O. 25" x 105" ON ALL DOORS

SURFACE APPLIED  
FALSE MUNTINS



**DOOR DETAILS**

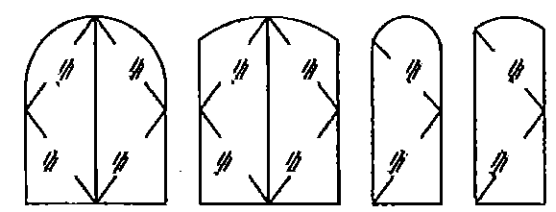
DOORS ARE SHOWN AS 3/0 X 8/0  
MULTI-LITE UNITS WILL HAVE GRILLS APPLIED (FALSE MUNTINS) TO A SINGLE PANE OF GLASS  
ALL WOOD JOINTS ARE ASSEMBLED USING A UF RESIN OR TITEBOND TYPE II GLUE  
ALL LITES ARE SEALED USING DAP DYNAFLEX 230  
TYPICAL GLAZING:  
7/16" OLDCASTLE STORMGLASS  
3/16" H.S. OUTBOARD .075" SAFLEX CP INTERLAYER  
3/16" H.S. INBOARD

SEE PAGE 1 FOR DESIGN PRESSURE AND  
HARDWARE OPTIONS

**DOOR DESIGNS**

DOOR MODELS MAY VARY IN SHAPE AND STYLE UNDER THE FOLLOWING CONDITIONS: (NOT TO EXCEED TESTED SIZE)

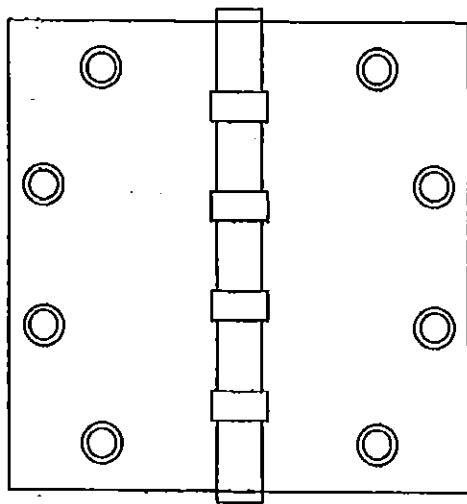
1. DOORS MUST HAVE SIMILAR CONSTRUCTION TO THOSE DESCRIBED IN THESE DRAWINGS, NOT TO EXCEED TESTED AREA
2. OTHER DOOR SHAPES APPLY AS LONG AS THEY FIT INSCRIBED INTO THE TEST DOORS
3. DOOR PANELS AND LITES MAY BE CHANGED AS LONG AS THEY ARE SMALLER THAN THE TEST SPECIMENS AND MEET CODE (SEE SHEET 1)



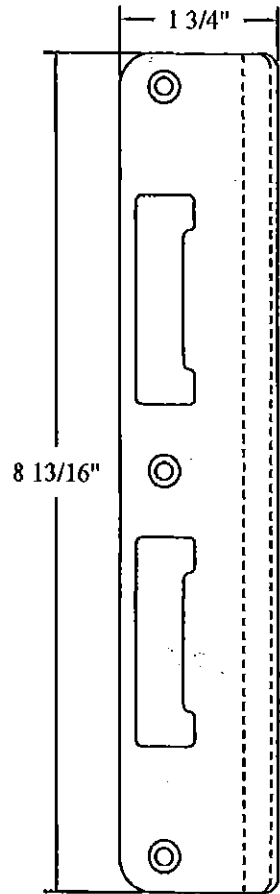
<p>PRODUCT RENEWED as complying with the Florida Building Code NOA-No. 15-1119.02 Expiration Date 02/24/2021 By <i>Herby A. Miller</i> Miami-Dade Product Control</p>	<p>PRODUCT REVISED as complying with the Florida Building Code Acceptance No. 14-0714.09 Expiration Date 2/29/26 By <i>(Shing) Chant</i> Miami-Dade Product Control</p>	<p>Engineering: <b>LIEBL &amp; BARROW</b> STRUCTURAL ENGINEERS C.A. #0008053 10970 SOUTH CLEVELAND AVENUE, SUITE #105 FORT MYERS, FLORIDA 33907 239-936-7557 PHONE 239-936-6817 FAX www.lbangineer.com E-mail: info@lbangineer.com</p>
		<p>General Revision #3 06/01/15</p>
		<p>Drawing #: NOA-G2010</p>
		<p>Date: 06/24/10</p>
		<p>Sheet 6 of 8</p>

**Series# I-NOA-Impact**  
**Hardwood Outswing Glazed Doors**  
Manufacturer:  
**Moore Custom Woodworking, Inc.**  
10046 Bavaria Rd. Fort Myers, FL 33913  
Ph: (239) 277-0360 Fax: (239) 277-0892

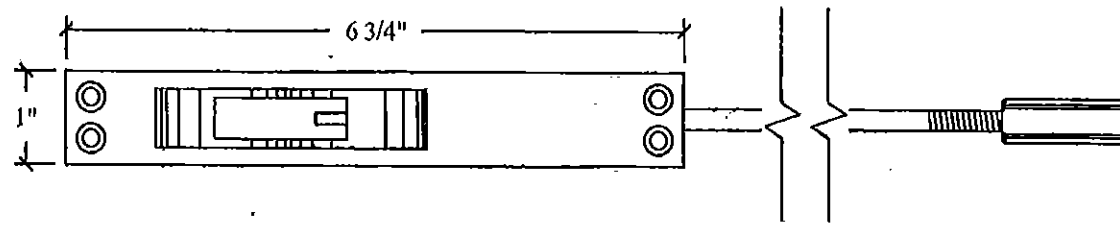
SCALE: 1/2" = 1"



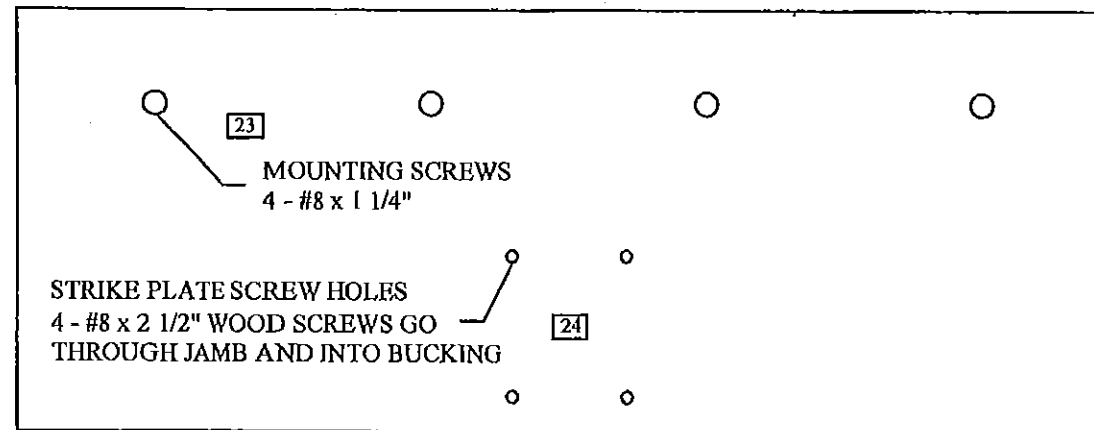
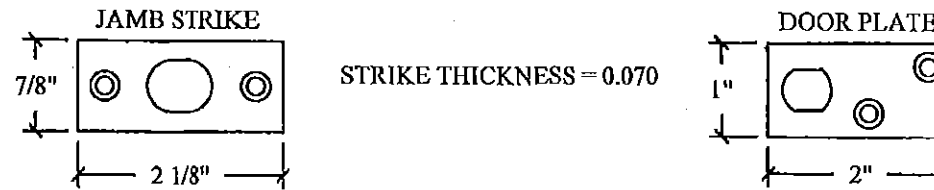
15 5" x 5" BRASS BALL BEARING HINGE



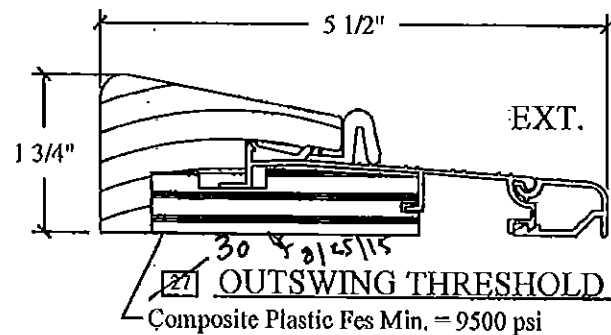
20 MULTIPOINT STRIKE



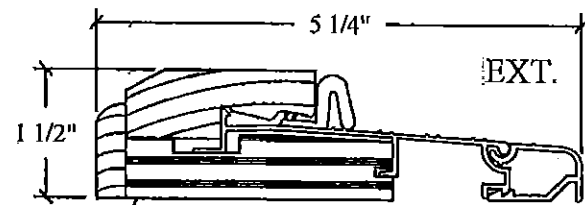
16 FLUSH EXTENSION BOLT AND STRIKES



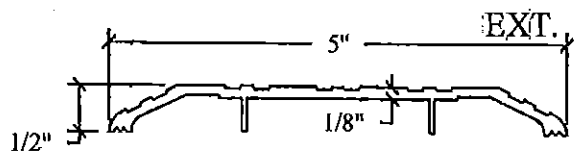
14 18 GA, 4 1/2" X 12" STEEL PLATE  
LOCATION: CENTERED ON PAIRS / FOLDED OVER LOCKING EDGE ON SINGLE



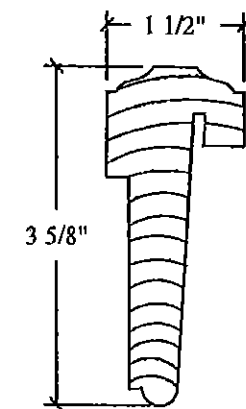
27 OUTSWING THRESHOLD  
Composite Plastic Fes Min. = 9500 psi



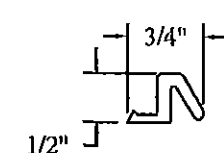
11 OUTSWING THRESHOLD  
FOR USE WHERE WATER REQUIREMENT IS NOT NEEDED  
Composite Plastic Fes Min. = 9500 psi



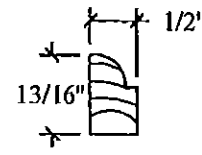
12 ADA SADDLE THRESHOLD  
FOR USE WHERE WATER REQUIREMENT IS NOT NEEDED



8 T-ASTRAGAL



13 WEATHER STRIP



9 GLASS STOP

PRODUCT RENEWED  
as complying with the Florida  
Building Code  
NOA-No. 15-1119.02  
Expiration Date 02/24/2021  
By *[Signature]*  
Miami-Dade Product Control

PRODUCT REVISED  
as complying with the Florida  
Building Code  
Acceptance No. 14-0714.09  
Expiration Date 2/24/16  
By *[Signature]*  
Miami-Dade Product Control

Series# 1 NOA-Impact  
Hardwood-Outswing-Glazed-Doors.  
Manufacturer:  
Moore Custom Woodworking, Inc.  
10046 Bavaria Rd. Fort Myers, FL 33913  
Ph: (239) 277-0360 Fax: (239) 277-0892

Engineering:

**LIEBL & BARROW**  
Structural Engineering

C.A. #00008053  
10970 SOUTH CLEVELAND AVENUE,  
SUITE #105  
FORT MYERS, FLORIDA 33907  
239-936-7557 PHONE  
239-936-6817 FAX  
www.lbengineer.com  
E-mail: info@lbengineer.com

Certification:

General Revision #3  
06/01/15

Drawing #: NOA-G2010

Date: 06/24/10

Sheet  
7 of 8

# MATERIAL LIST

ITEM #	QTY	PART DESCRIPTION	SIZE	MATERIAL REMARKS
1	1	JAMB HEADER	1 1/2" x 5 1/4"	HARDWOOD** LENGTH VARIES
2	2	JAMB LEGS	1 1/2" x 5 1/4"	HARDWOOD** LENGTH VARIES
3	2	DOOR TOP RAIL	2 1/4" x 5 1/2" MIN.	HARDWOOD* LENGTH VARIES
4	2	RAISED PANEL	2" MIN.	HARDWOOD* LENGTH/WIDTH VARIES
5	2	DOOR BOTTOM RAIL	2 1/4" x 9 1/2" MIN.	HARDWOOD* LENGTH VARIES
6	4	DOOR STILE	2 1/4" x 5 1/2" MIN.	HARDWOOD* LENGTH VARIES
7	2	RAIL SPLINE	1/2" x 2 1/2" x 5"	HARDWOOD* CIRCLE TOP ONLY
8	1	T-ASTRAGAL	1 1/2" x 3 5/8"	HARDWOOD* LENGTH VARIES
9	AS REQUIRED	GLASS STOP	1/2" x 13/16"	HARDWOOD*
10	AS REQUIRED	IMPACT SPLINE	1/4" x 2 1/2"	HARDWOOD* SURROUNDING PANELS
11	1	THRESHOLD	1 1/2" x 5 1/4"	WORLD WIDE DOOR 99-2340/ WATER REQ. NOT NEEDED
12	1	ALUMINUM THRESHOLD	1/2" x 5"	WORLD WIDE DOOR 99-9750 / ADA / WATER REQ. NOT NEEDED
13	AS REQUIRED	WEATHER STRIP	3/4" x 1/2"	QLON QDS-650
14	1	STEEL PLATE	4 1/2" x 12"	18 GA. SAE 1060 OR STRONGER
15	AS REQUIRED	HINGES	5" x 5" x 0.145"	DELTANA OR BMTEK / SEE PG. 2 FOR MORE INFORMATION
16	4	FLUSH EXTENSION BOLT	1" x 6 3/4"	DELTANA 2 EA. INACTIVE DOOR 2 EA. ACTIVE DOOR (HW. OPTION II)
17	2	FLUSH EXTENSION BOLT	1" x 6 3/4"	IVES 2 EA. INACTIVE DOOR (HW. OPTION I)
18	1	KWIKSET HANDLESET	VARIES	ANSI GRADE 3 MIN. (HW. OPTION II)
19	1	KWIKSET 780 DEADBOLT	VARIES	ANSI GRADE 2 MIN. (HW. OPTION II)
20	1	MULTIPOINT HARWARE	VARIES	HOPPE 3 POINT SHOOTBOLT MIN. (HW. OPTION I)
21	1	MULTIPOINT HANDLESET	VARIES	MANUFACTURES VARY
22	AS REQUIRED	JAMB SCREWS	#8 x 2 1/2" TO 3"	STEEL / ZINC PLATED SEE PG. 3-4 FOR MORE INFORMATION
23	4	STEEL PLATE MOUNTING SCREWS	#8 x 1 1/4"	STEEL / ZINC PLATED
24	4	STRIKE PLATE MOUNTING SCREWS	#8 x 2 1/2"	STEEL
25	8 PER HINGE	HINGE SCREWS	#12 x 1 1/4"	BRASS OR STEEL TO MATCH HINGE
26	AS REQUIRED	INSTALLATION SCREWS	1/4" ITW TAPCON	LENGTH REQUIRED FOR 1 1/2" EMBEDMENT / SEE PG. 1 FOR SPACING
27	2	IMPACT GLASS	7/16"	STORMGLASS 3/16" H.S. INBOARD/OUTBOARD LITE .075 SOLUTIA INNERLAYER
28	AS REQUIRED	STICKING BRADS	18 GA. x 1 1/4"	SPACING 8" ON CENTER
29	AS REQUIRED	SEALANT	N/A	DAP DYNAFLEX 230
30	1	THRESHOLD	1 3/4" x 5 1/2"	WORLD WIDE DOOR 99-2340 w/ MODIFIED CAP

\*WOOD SPECIES OF EQUAL OR GREATER DENSITY AND STRENGTH MAY BE SUBSTITUTED FOR ALL WOOD COMPONENTS (SAPELE USED)  
 \*\*POPLAR USED FOR DOOR JAMBS

	SAPELE (Wood Components)	POPLAR (Jamb Use Only)
MIN. SPECIFIC GRAVITY	0.55 (or greater)	0.42 (or greater)
MIN. MODULUS OF ELASTICITY	1.7 x 10 <sup>6</sup> psi	1.58 x 10 <sup>6</sup> psi

PRODUCT RENEWED  
 as complying with the Florida  
 Building Code  
 NOA-No. 15-1119.02  
 Expiration Date 02/24/2021  
 By *Heidi A. Miller*  
 Miami-Dade Product Control

PRODUCT REVISED  
 as complying with the Florida  
 Building Code  
 Acceptance No. 14-0714.09  
 Expiration Date FEB 24, 2016  
 By *Isheq I. Chumda*  
 Miami-Dade Product Control

Series# 1 NOA Impact  
 Hardwood Outswing Glazed Doors

Manufacturer:  
 Moore Custom Woodworking, Inc.  
 10046 Bavaria Rd. Fort Myers, FL 33913  
 Ph: (239) 277-0360 Fax: (239) 277-0892

Engineering:

**LIEBL & BARROW**  
 Structural Engineering

C.A. #00008053  
 10970 SOUTH CLEVELAND AVENUE,  
 SUITE #105  
 FORT MYERS, FLORIDA 33907  
 239-936-7557 PHONE  
 239-936-6817 FAX  
 www.lbengineer.com  
 E-mail: info@lbengineer.com

Certification:

General Revision #3  
 06/01/15  
 Drawing #: NOA-G2010  
 Date: 06/24/10  
 Sheet  
 8 of 8